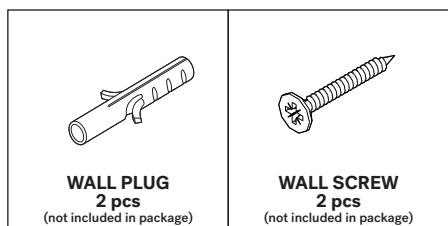


09853 BATHROOM MIRROR - TEAK AND MIRROR

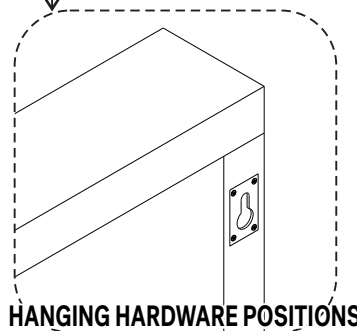
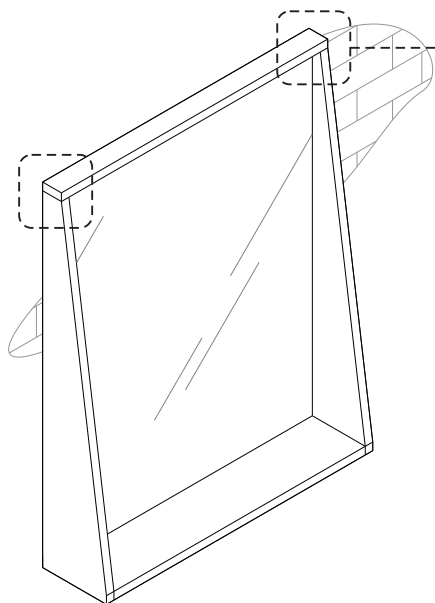
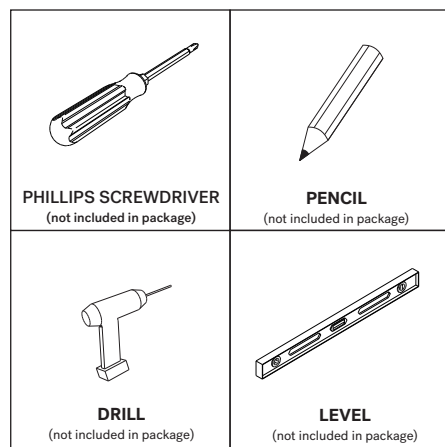
ASSEMBLY INSTRUCTIONS FOR MIRROR INSTALLATION



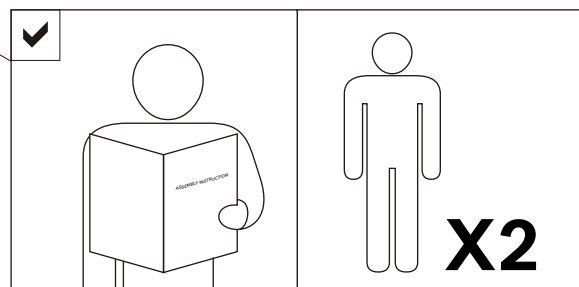
HARDWARE REQUIRED



TOOLS REQUIRED



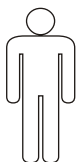
NOTICE



SYMBOLS



DIRECTION



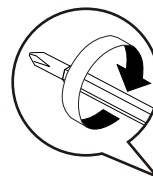
NUMBER OF PERSON NEEDED



USE HAND



USE DRILL



USE PHILLIPS SCREWDRIVER TO TIGHTEN

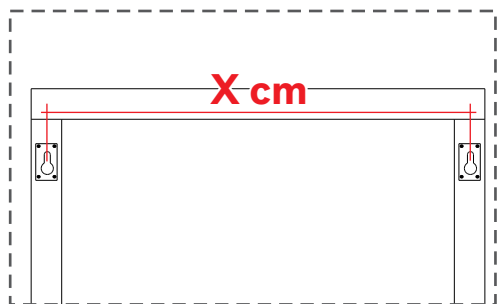
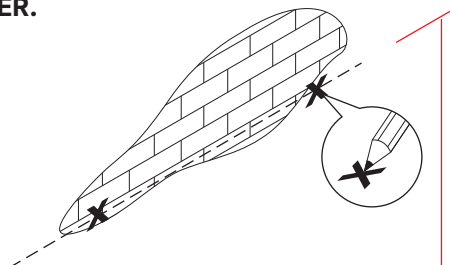


USE PENCIL

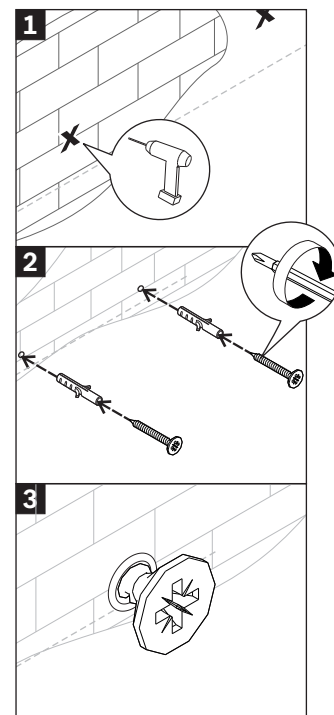
1 INSTALLING WALL PLUG & WALL SCREWS



AS WALL MATERIALS VARY, SCREWS FOR FIXING TO WALL ARE NOT INCLUDED. FOR ADVICE ON SUITABLE SCREW SYSTEMS, CONTACT YOUR LOCAL SPECIALISED DEALER.



Y cm
(Desired height)



- USE LEVEL FOR ALIGNMENT
- ILLUSTRATION WITH BRICK WALL

2 HANGING MIRROR TO THE WALL

