

BR HOME
SIRIUS TABLE LAMP



STYLE # 6002134



DIMENSIONS

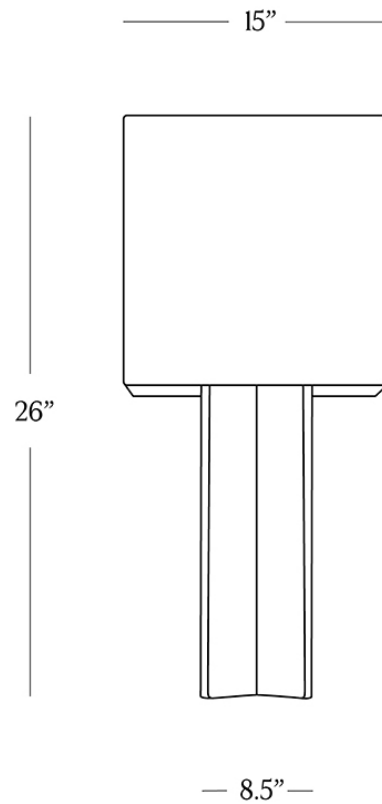
Height	26"
Base Width	8.5" sq.
Shade Diameter	15"
Weight	20 lbs.

RATING

Max Wattage	60 Watt max. Incandescent 9 Watt max. LED
Bulbs (Not Included)	Type A

PARTS ENCLOSED

- (A) Lamp Base (1)
- (B) Saddle (1) (attached on lamp base)
- (C) Harp (1)
- (D) Finial Screw Plate (1) (attached on harp)
- (E) Finial (1)



DETAILS

Material Cast Aluminum

Made In India

Clean lines and a rustic texture give this cast-aluminum table lamp a sculptural feel with a hand-applied bronze finish.

Lampshade included. Fabric cord with rocker switch.

CARE

- Dust regularly with a soft, dry cloth.
- Avoid the use of harsh cleaners and abrasives which may damage the finish.

ASSEMBLY

1. Carefully remove all parts from the box and remove all plastic coverings.
2. Insert harp (C) into the saddle (B).
3. Insert LED bulb (not included) in to the socket.
4. Remove the finial (E) by unscrewing in a counterclockwise direction.
5. Place the shade on finial screw plate (D).
6. Reattach the finial (E) and tighten it to tighten the shade by screwing in a clockwise direction.
7. Plug into proper electrical outlet and test lamp by turning it on.
8. Assembly is complete.

IMPORTANT SAFETY FEATURES

PLEASE FOLLOW THE ASSEMBLY INSTRUCTIONS CLOSELY. IMPROPER ASSEMBLY OR INSTALLATION CAN RESULT IN PERSONAL OR PROPERTY DAMAGE.

BULBS

This lamp has been rated for (l) 60-watt maximum Type A incandescent light bulb or (l) 9-watt maximum LED light bulb. To avoid the risk of fire, do not exceed the recommended wattage.

DIMMER-SWITCH COMPATIBILITY

This lamp is dimmer-switch compatible.

WARNINGS

All wires are connected. When unpacking, be careful not to pull wires, as damage may result. Do not connect electricity until the lamp is fully assembled. To reduce the risk of fire, electrical shock, or personal injury, always turn off lamp and allow it to cool prior to replacing the light bulb. Do not touch or look directly at the bulb when lamp is illuminated. Keep flammable materials away from lit bulb.

WARNINGS: STRANGULATION HAZARD

Keep cord at least 3 feet away from cribs, bassinets, and toddler beds. Keep out of reach of children under 3 years of age.

THIS PRODUCT IS NOT A TOY AND HAS NO PLAY VALUE.