

BR HOME  
RHEA TABLE LAMP



STYLE # 6002140



**DIMENSIONS**

---

Base Height	22"
Base Diameter	7"
Shade Diameter	18"
Weight	58 lbs.

**RATING**

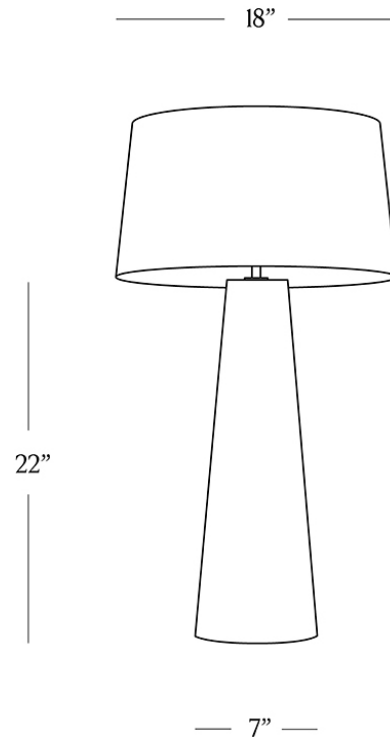
---

Max Wattage	60 watt maximum incandescent OR 9 watt maximum LED
Bulbs (Not Included)	Type A

**PARTS ENCLOSED**

---

- (A) Lamp Base (1)
- (B) Saddle (1)
- (C) Harp (1)
- (D) Finial Screw Plate (1)
- (E) Shade (1)
- (F) Finial (1)
- (G) LED Bulb (not included)



**DETAILS**

---

Also known as midnight marble, Marquina marble is prized for its inky black hue interrupted by wisps of ivory white. Here, the clean lines of this table lamp's tapered column let this natural material speak for itself.

- Crafted from Marquina marble and iron
- Lampshade included
- Fabric cord with rocker switch
- Requires 60W maximum Type A bulb, e26 socket type (not included)
- Made in India

**CARE**

---

- Dust regularly with a soft, dry cloth.
- Avoid the use of harsh cleaners and abrasives which may damage the finish.

**IMPORTANT SAFETY INSTRUCTIONS**

---

PLEASE FOLLOW THE ASSEMBLY INSTRUCTIONS CLOSELY. IMPROPER ASSEMBLY OR INSTALLATION CAN RESULT IN PERSONAL OR PROPERTY DAMAGE.

**BULBS**

This lamp has been rated for (l) 60-watt maximum Type A incandescent light bulb (not included) or (l) 9-watt maximum LED light bulb (not included). To avoid the risk of fire, do not exceed the recommended wattage.

**WARNINGS**

---

All wires are connected. When unpacking, be careful not to pull wires, as damage may result. Do not connect electricity until the lamp is fully assembled. To reduce the risk of fire, electrical shock, or personal injury, always turn off lamp and allow it to cool prior to replacing the light bulb. Do not touch or look directly at the bulb when lamp is illuminated. Keep flammable materials away from lit bulb.

**WARNINGS: STRANGULATION HAZARD**

---

Keep cord at least 3 feet away from cribs, bassinets, and toddler beds. Keep out of reach of children under 3 years of age.

THIS PRODUCT IS NOT A TOY AND HAS NO PLAY VALUE.

**ASSEMBLY**

---

1. Carefully remove all parts from the box and remove all plastic coverings.
2. Insert harp (C) into the saddle (B).
3. Insert LED bulb (G) (not included) into the socket.
4. Remove the finial (F) by unscrewing in a counterclockwise direction.
5. Place the shade (E) on finial screw plate (D).
6. Reattach the finial (F) and tighten to tighten the shade by screwing in a clockwise direction.
7. Plug into proper electrical outlet and test lamp by turning it on.
8. Assembly is complete.