

BR HOME
PASCAL LOW TIER TABLE LAMP



STYLE # 6002864

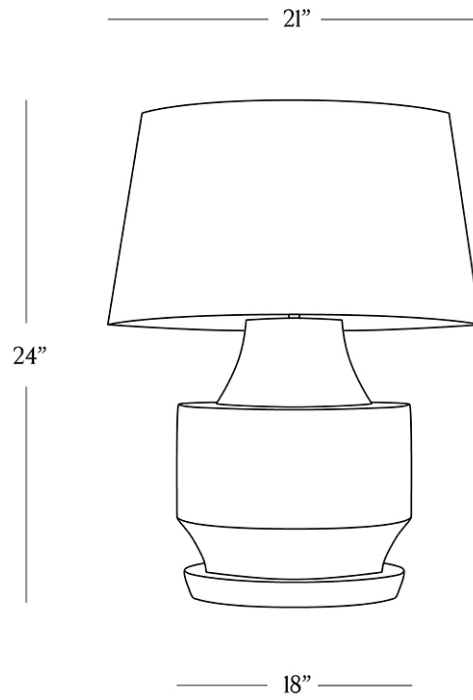


DIMENSIONS

Height	24"
Base Diameter	18"
Shade Diameter	21"
Weight	26.5 lbs.

RATING

Max Wattage	60-watt maximum incandescent OR 13-watt maximum LED
Bulbs (Not Included)	Type A, E-26



PARTS ENCLOSED

- (A) Lamp Base (1)
- (B) Saddle (1)
- (C) Harp (1)
- (D) Finial Screw Plate (1)
- (E) Shade (1)
- (F) Finial (1)
- (G) Lamp Holder (1)

DETAILS

Taking its cues from decorative planters, our table lamp exudes an earthy élan. Carved from pine wood, a column rises like a stalk from its tiered base to the fabric shade that softly diffuses the light. Pascal's surface is alive with elaborately etched, organic patterns, bringing rich texture to the tonal beauty.

- Carved pine wood base and fabric shade (included)
- 8' fabric-wrapped cord
- Rocker on-off switch
- Made in India

CARE

- UL Dry rated, not suitable for moist, outdoor, or wet environments.
- Dust regularly with a soft, dry cloth or carefully vacuum using the upholstery attachment.
- Avoid the use of harsh cleaners and abrasives which may damage the finish.

IMPORTANT SAFETY INSTRUCTIONS

PLEASE FOLLOW THE ASSEMBLY INSTRUCTIONS CLOSELY. IMPROPER ASSEMBLY OR INSTALLATION CAN RESULT IN PERSONAL OR PROPERTY DAMAGE.

BULBS

This lamp has been rated for (1) 60-watt maximum Type A incandescent light bulb or (1) 13-watt maximum LED lightbulb. To avoid the risk of fire, do not exceed the recommended wattage.

WARNINGS

All wires are connected. When unpacking, be careful not to pull wires, as damage may result. Do not connect electricity until the lamp is fully assembled. To reduce the risk of fire, electrical shock, or personal injury, always turn off lamp and allow it to cool prior to replacing the light bulb. Do not touch or look directly at the bulb when lamp is illuminated. Keep flammable materials away from lit bulb.

WARNINGS: STRANGULATION HAZARD

Keep cord at least 3 feet away from cribs, bassinets, and toddler beds. Keep out of reach of children under 3 years of age.

THIS PRODUCT IS NOT A TOY AND HAS NO PLAY VALUE.

ASSEMBLY

1. Carefully remove all parts from the box and remove all plastic coverings.
2. Insert harp (C) into the saddle (B).
3. Insert LED bulb into the lamp holder (G).
4. Remove the finial (F) by unscrewing in a counterclockwise direction.
5. Place the shade on finial screw plate (D).
6. Reattach the finial (F) and tighten to the shade by screwing in a clockwise direction.
7. Plug into proper electrical outlet and test lamp by turning it on.
8. Assembly is complete.