

BR HOME
PALOMA FLOOR LAMP



STYLE # 6002204



DIMENSIONS

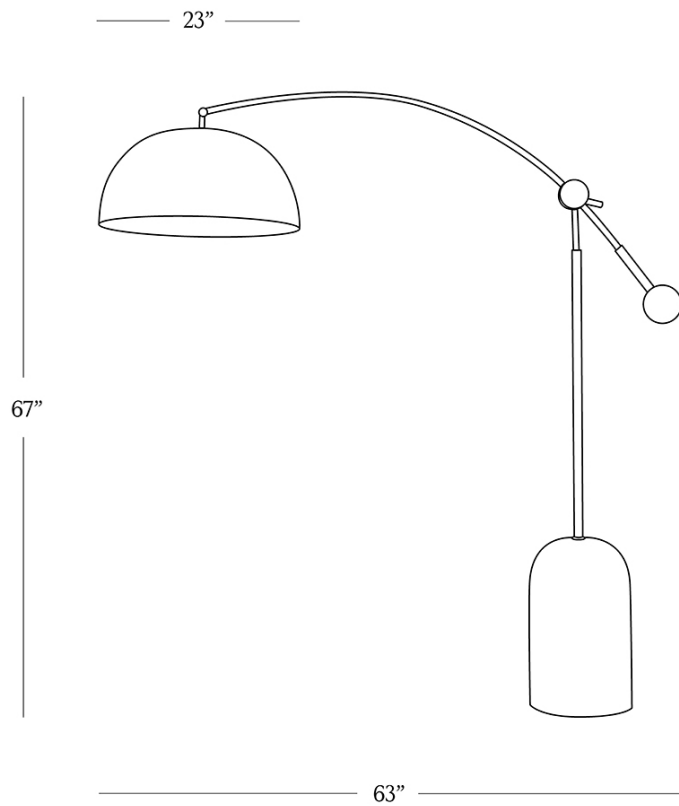
Total Height	67"
Total Width	63"
Base Diameter	27"
Base Height	15"
Shade Diameter	23"
Weight	112.5 lbs.

RATING

Max Wattage	40-watt maximum
Bulbs (Not Included)	Type A

PARTS ENCLOSED

- (A) Lamp Base (1)
- (B) Shade (1)
- (C) Shade Ring (1)
- (D) Finial (1)
- (E) Bulb (not included)



DETAILS

Anchored by a single block of travertine, this sculptural floor lamp has clean lines and a cantilevered design, allowing the natural variations of this stone to shine.

- Handcrafted from travertine, brass, iron, and aluminum
- Lampshade included; fabric cord with foot-step switch
- Handmade in India

CARE

- Dust regularly with a soft, dry cloth.
- Avoid the use of harsh cleaners and abrasives which may damage the finish.

ASSEMBLY

1. Carefully remove all parts from the box and remove all plastic coverings.
2. Unscrew the lock handle from the lock box and disassemble both rod parts.
3. Align lock pin in between the center of lock rods and connect both parts together.
4. Now, adjust the rod to desired position and tighten the lock handle in clockwise direction.
5. Connect shade (B) with the lamp holder and tighten shade ring (C), to secure shade with the lamp.
6. Now, fasten finial (D) to the end of rod.
7. Insert bulb () E (not included) into the socket.
8. Plug into proper electrical outlet and test lamp by turning it on.
9. Assembly is complete.

IMPORTANT SAFETY INSTRUCTIONS

PLEASE FOLLOW THE ASSEMBLY INSTRUCTIONS CLOSELY. IMPROPER ASSEMBLY OR INSTALLATION CAN RESULT IN PERSONAL OR PROPERTY DAMAGE.

BULBS

This lamp has been rated for (l) 40-watt maximum Type A standard light bulb (not included). To avoid the risk of fire, do not exceed the recommended wattage.

WARNINGS

All wires are connected. When unpacking, be careful not to pull wires, as damage may result. Do not connect electricity until the lamp is fully assembled. To reduce the risk of fire, electrical shock, or personal injury, always turn off lamp and allow it to cool prior to replacing the light bulb. Do not touch or look directly at the bulb when lamp is illuminated. Keep flammable materials away from lit bulb.

WARNINGS: STRANGULATION HAZARD

Keep cord at least 3 feet away from cribs, bassinets, and toddler beds. Keep out of reach of children under 3 years of age.

THIS PRODUCT IS NOT A TOY AND HAS NO PLAY VALUE.