

BR HOME  
ISADORA TABLE LAMP



STYLE # 6002218



**DIMENSIONS**

---

Base Height	30.5"
Base Width	9"
Base Depth	8"
Shade Diameter	18"

**RATING**

---

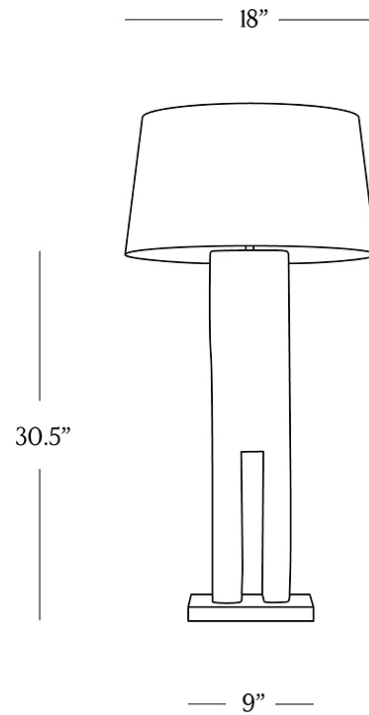
Max Wattage	60-watt maximum Incandescent OR 13-watt maximum LED
-------------	---

Bulbs  
(Not Included) Type A

**PARTS ENCLOSED**

---

- (A) Finial (1)
- (B) Harp (1)
- (C) Saddle (1)
- (D) Lamp body (1)
- (E) Lamp Base (1)
- (F) Allen bolt (4)
- (G) Allen Key (1)
- (H) Shade (1)



## DETAILS

---

Indulge in the rustic texture of reclaimed wood with this table lamp. Each piece is handcrafted by artisans in India using salvaged railroad wood in an ebony finish.

- Handcrafted from reclaimed wood and iron
- Lampshade included; fabric cord with rocker switch
- Handmade in India

## CARE

---

- Dust regularly with a soft, dry cloth.
- Avoid the use of harsh cleaners and abrasives which may damage the finish.

## ASSEMBLY

---

1. Lay down the wooden lamp (E) on the stable surface.
2. Assemble the bottom iron base plate (F) with the help of allen bolt (G) and allen key (H) until tightened.
3. Place the assembled lamp base (E+F) in upright position.
4. Insert the Harp (C) into the saddle (D).
5. Insert the recommended bulb into the holder.
6. Place the Shade.
7. Reattach the Finial (A) and tighten to secure the shade by screwing in a clockwise direction.
8. Plug into proper electrical outlet and test fixture.
9. Assembly is complete.

## IMPORTANT SAFETY INSTRUCTIONS

---

PLEASE FOLLOW THE ASSEMBLY INSTRUCTIONS CLOSELY. IMPROPER ASSEMBLY OR INSTALLATION CAN RESULT IN PERSONAL OR PROPERTY DAMAGE.

### BULBS

This lamp has been rated for (I) 60-watt maximum Type A incandescent light bulb or (I) 13-watt maximum LED light bulb. To avoid the risk of fire, do not exceed the recommended wattage.

## WARNINGS

---

All wires are connected. When unpacking, be careful not to pull wires, as damage may result. Do not connect electricity until the lamp is fully assembled. To reduce the risk of fire, electrical shock, or personal injury, always turn off lamp and allow it to cool prior to replacing the light bulb. Do not touch or look directly at the bulb when lamp is illuminated. Keep flammable materials away from lit bulb.

## WARNINGS: STRANGULATION HAZARD

---

Keep cord at least 3 feet away from cribs, bassinets, and toddler beds. Keep out of reach of children under 3 years of age.

THIS PRODUCT IS NOT A TOY AND HAS NO PLAY VALUE.