

BR HOME
AMINA TABLE LAMP



STYLE # 6002148



DIMENSIONS

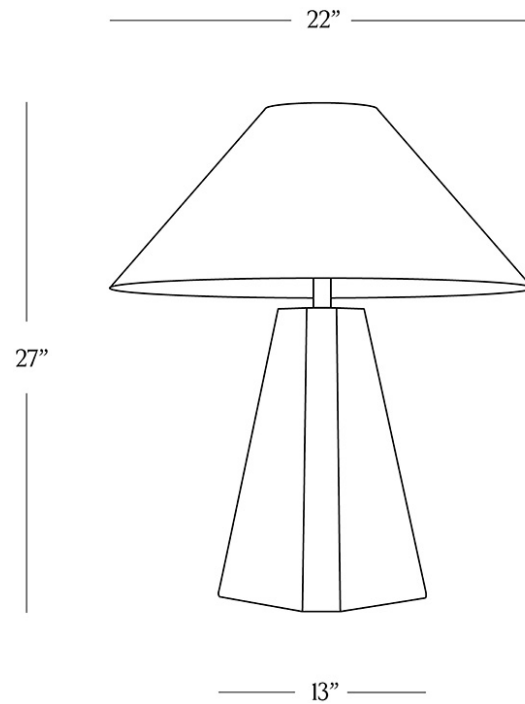
Height	27"
Base Diameter	13"
Shade Diameter	22"
Weight	31 lbs.

RATING

Max Wattage	9-watt maximum LED
Bulbs (Not Included)	Type A, E-26

PARTS ENCLOSED

-
- (A) Socket Ring (1)
 - (B) Shade (1)
 - (C) Socket (1)
 - (D) Lamp Body (1)



DETAILS

The tone and texture of smooth travertine takes center stage with the clean lines of this table lamp. Cut from a single block, its angular form allows the natural variations of this stone to shine.

- Crafted from travertine and iron
- Lampshade included
- 6' fabric cord with rocker switch
- Voltage: 120V
- Non-dimmable
- Recommended Light bulbs: Type A, E-26 Bulb (not included)
- Made in India

CARE

- Dust regularly with a soft, dry cloth.
- Avoid the use of harsh cleaners and abrasives which may damage the finish.

ASSEMBLY

1. Carefully remove all parts from the box and remove all plastic coverings.
2. Place Lamp Body (D) on a flat surface.
3. Place Shade (B) onto Socket (C). Secure Shade (B) on the Socket (C) with Socket Ring (A).
4. Place the LED bulb (Not Included) into Socket (C).
5. Plug into proper electrical outlet and test lamp by turning it on.
6. Assembly is complete.

IMPORTANT SAFETY INSTRUCTIONS

PLEASE FOLLOW THE ASSEMBLY INSTRUCTIONS CLOSELY. IMPROPER ASSEMBLY OR INSTALLATION CAN RESULT IN PERSONAL OR PROPERTY DAMAGE.

BULBS

This lamp has been rated for (1) 9-watt maximum LED light bulb. To avoid the risk of fire, do not exceed the recommended wattage.

DIMMER-SWITCH COMPATIBILITY

This fixture is not dimmer-switch compatible.

WARNINGS

All wires are connected. When unpacking, be careful not to pull wires, as damage may result. Do not connect electricity until the lamp is fully assembled. To reduce the risk of fire, electrical shock, or personal injury, always turn off lamp and allow it to cool prior to replacing the light bulb. Do not touch or look directly at the bulb when lamp is illuminated. Keep flammable materials away from lit bulb.

WARNINGS: STRANGULATION HAZARD

Keep cord at least 3 feet away from cribs, bassinets, and toddler beds. Keep out of reach of children under 3 years of age.

THIS PRODUCT IS NOT A TOY AND HAS NO PLAY VALUE.