

BR HOME
CHICAGO CHAIR-AND-A-HALF

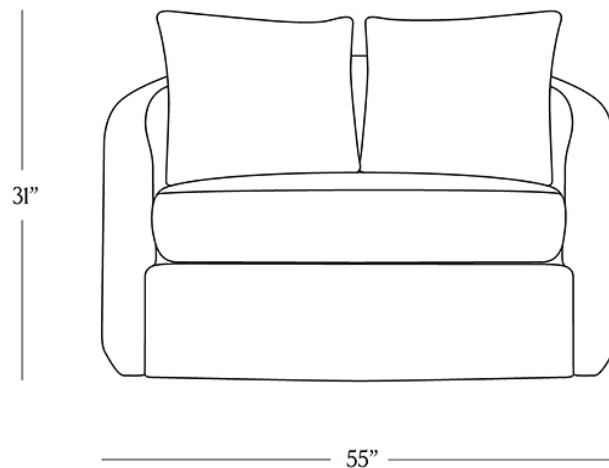


STYLE # 6002316



DIMENSIONS

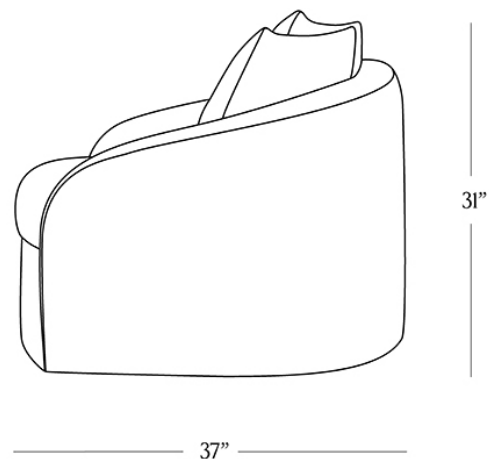
Width	55"
Depth	37"
Height	31"
Seat Height	20.5"
Seat Depth	27.5"

**CARE**

- Keep out of direct UV light to prevent fading.
- Vacuum regularly with upholstery attachment to remove dust.
- Professional upholstery cleaning recommended.

To view a copy of this product's label, copy the style number below and search this database [Law Label Lookup](#).

Reference our [Measuring & Delivery Guide](#) to accurately measure your space and avoid common delivery issues.

**DETAILS**

Soft curves and a streamlined silhouette create this oversized chair's sculptural quality. The refined design features a rounded back that flows into graceful wings, offering a cozy, sheltering feel. Crafted in North Carolina, the bed is framed in hardwood and expertly upholstered in a range of fabrics to suit any style.

- Frame crafted from maple, ash, and hardwood plywood using reinforced joint and corner block construction for long-lasting durability.
- Premium down-alternative wrapped cushions and back cushions, supported by high-resilience foam core for stability.