



HOME

OBLONG MIRROR 42 X 72 - BLACKENED BRASS

ASSEMBLY & INSTALLATION INSTRUCTIONS

**ENGLISH**

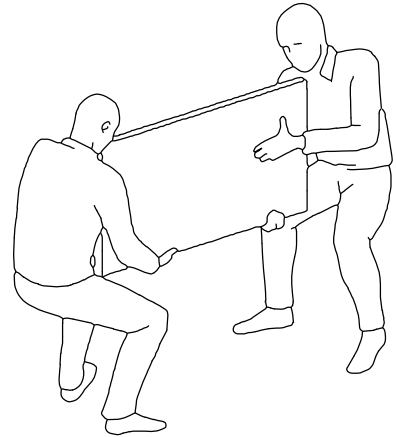
**STORAGE**

1. Do not stack anything on top of the mirror.
2. Keep the mirror packaged until installation.
3. Store mirror upright on the long edge.

**MIRROR HANDLING INSTRUCTIONS**

Caution:

1. Remove vertically from package.
2. Always carry mirror vertically as illustrated. Carrying flat will cause breakage.



**BEFORE YOU BEGIN**

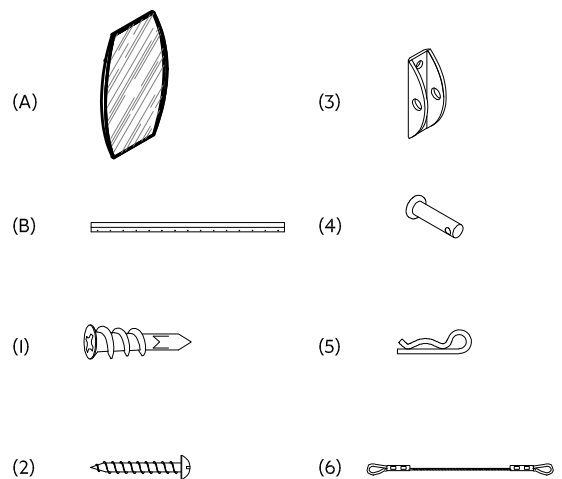
1. Professional installation recommended.
2. Tool and materials required:  
Carpenter's level  
Phillips head screwdriver
3. These instructions are provided for your safety. It is important that they are read carefully and completely before installation of the fixture.
4. For your safety, it is recommended that two people hang the fixture.
5. Check with a professional to ensure your wall can tolerate a fixture weighing 93 lbs (42 kg).
6. When wall mounting, stud mounting is strongly recommended.

**PARTS INCLUDED**

- (A) MIRROR (1)
- (B) ALUMINIUM HANGER 30" (1)
- (1) EZ mini anchor (12)
- (2) Screw M4x30 (12)
- (1) Bracket (2)
- (2) Clevis pin (4)
- (3) Hair pin (4)
- (4) Metal cord (2)

**TOOLS**

Screwdriver



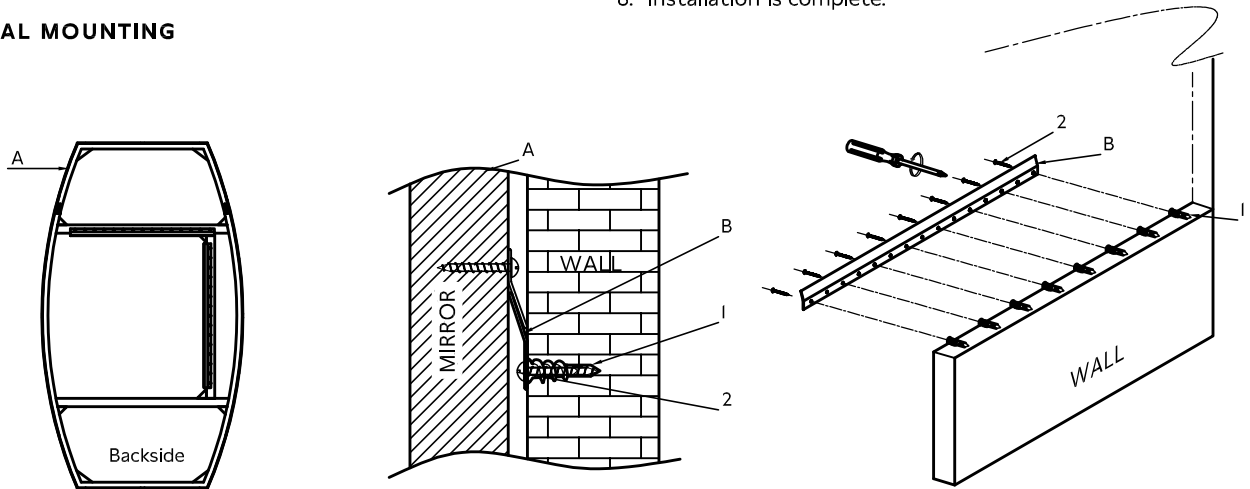
**INSTALLATION OF MIRROR**

**WALL MOUNTING**

1. Unpack all parts and place them on a protected work surface.
2. Determine the exact location of the fixture and mark the holes on the wall surface using the holes in the aluminum hanger (B) (vertical mounting) or (B) (horizontal mounting) as a guide.
3. Drill small holes on each point location on the wall. Each hole should be just large enough to accommodate EZ mini anchor (I).
4. Insert the EZ mini anchors (I) into the holes on the wall.
5. Mount the aluminum hanger (B) into the wall using screws (2).
6. Check that the aluminum hanger fixture is securely screwed into the wall.
7. Place the mirror with hanger cleat (A) into the aluminum hanger fixture.
8. Installation is complete.

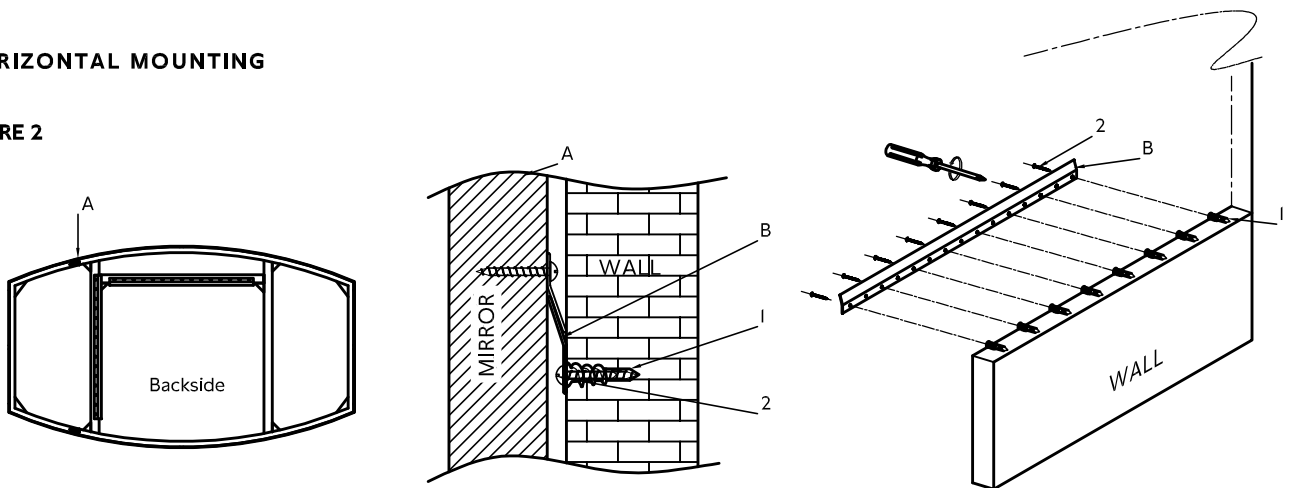
**VERTICAL MOUNTING**

**FIGURE 1**



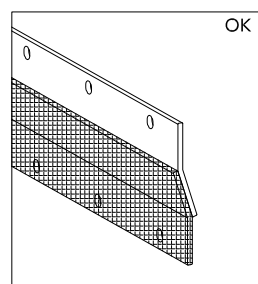
**HORIZONTAL MOUNTING**

**FIGURE 2**

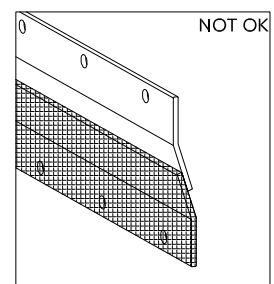


**\*\*NOTE:** MAKE SURE THAT THE TWO (2) CLEATS (1 ON MIRROR AND 1 ON WALL) ARE LOCKED AND SECURED WITH EACH OTHER. A LEVEL CHECK IS HIGHLY RECOMMENDED. CHECK AND ADJUST IF NEEDED.

**FIGURE 3**



**FIGURE 4**



**INSTALLATION OF MIRROR**

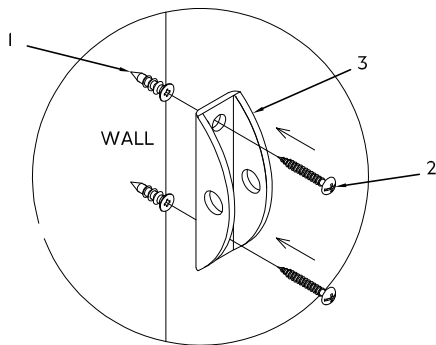
**LEANING**

1. Move the mirror into position close to the wall. Mark locations on the wall approximately 5" (13 cm) above the set of metal brackets attached on mirror. Move mirror away from the wall. Drill pilot holes with a 3/32" (0.2 cm) drill bit if needed. Attach metal bracket (3) into the wall by using screws (2) (FIGURE 1).

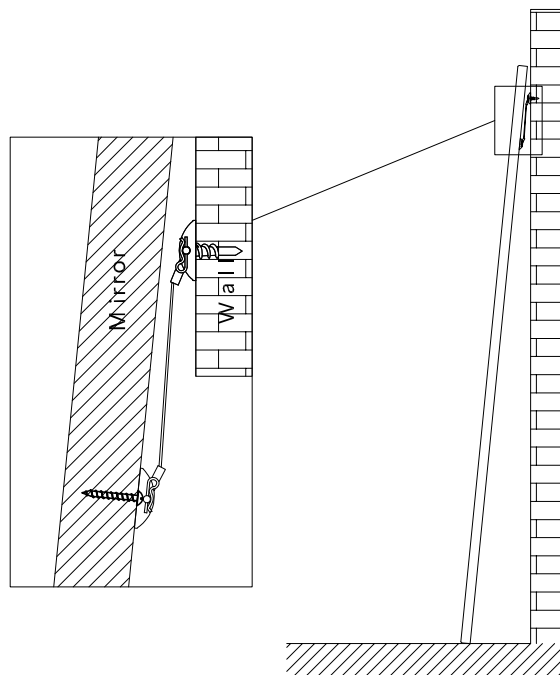
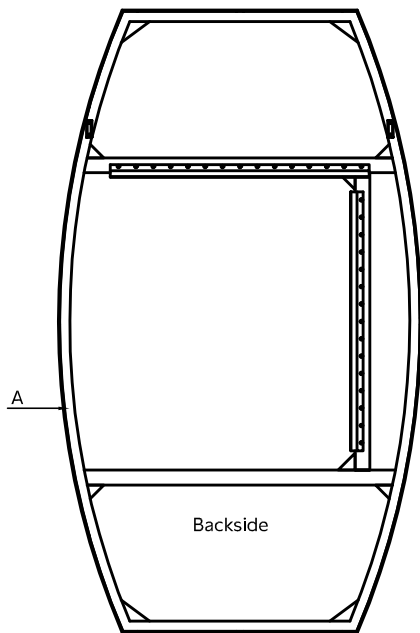
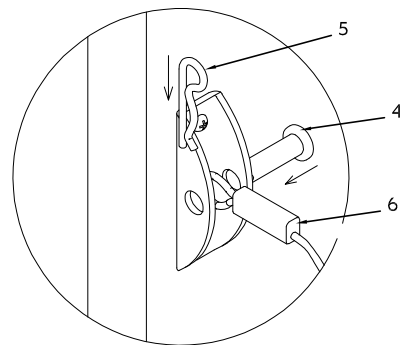
2. Move the mirror into it's final position, taking care to line up the wall brackets with the mirror brackets. Attach the metal cord (6) into bracket with clevis pin (4) and hair pin (5). (FIGURE 2).

3. Important: Check to ensure that the wall brackets are firmly screwed into the wall, the mirror brackets are firmly attached to the frame.

**FIGURE 1**



**FIGURE 2**



**\*\*NOTE:** When leaning the mirror, we recommend installing the Anti-Tip Kit. When hanging, simply follow the instructions above. The Anti-TipKit is not necessary.

**CLEANING INSTRUCTIONS**

To clean, use a soft dry or damp cloth.

Do not use abrasive cleaners.