

09855 RECTANGLE WALL MIRROR - BRONZE MIRROR HEAVY AGED

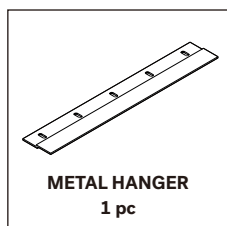
- METAL FRAME

ASSEMBLY INSTRUCTIONS FOR MIRROR INSTALLATION

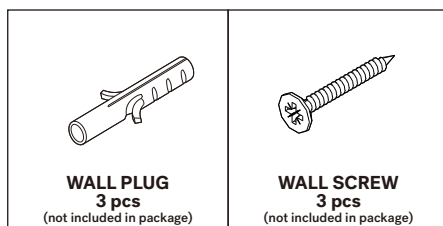


HOME

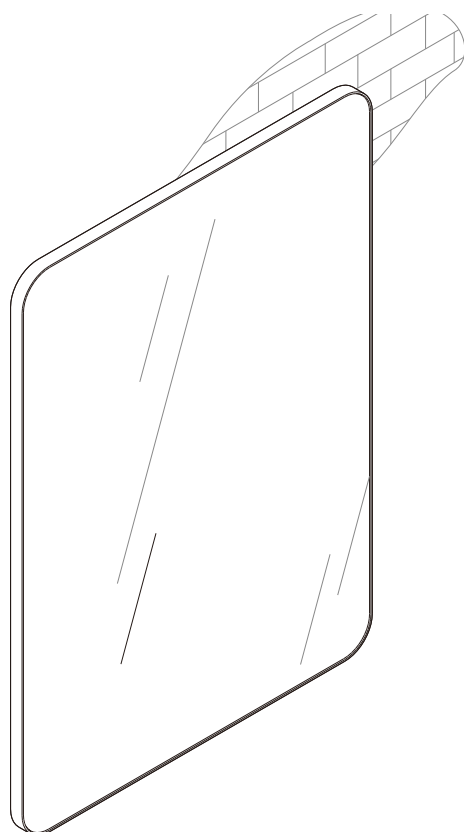
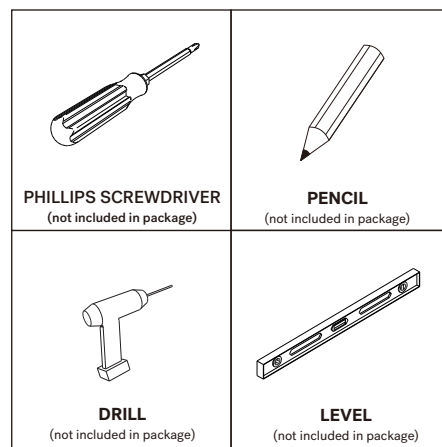
HARDWARE ENCLOSED



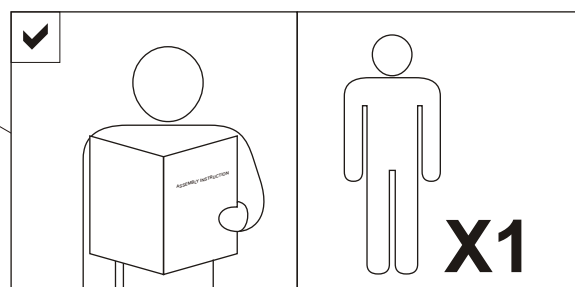
HARDWARE REQUIRED



TOOLS REQUIRED



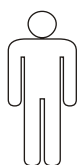
NOTICE



SYMBOLS



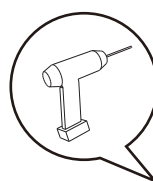
DIRECTION



NUMBER OF PERSON NEEDED



USE HAND



USE DRILL



USE PHILLIPS SCREWDRIVER TO TIGHTEN



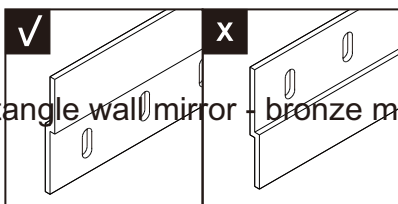
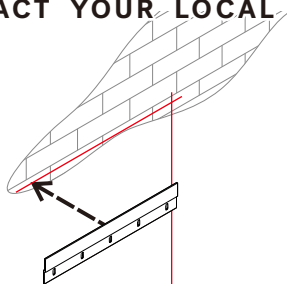
USE PENCIL

VERTICAL POSITION

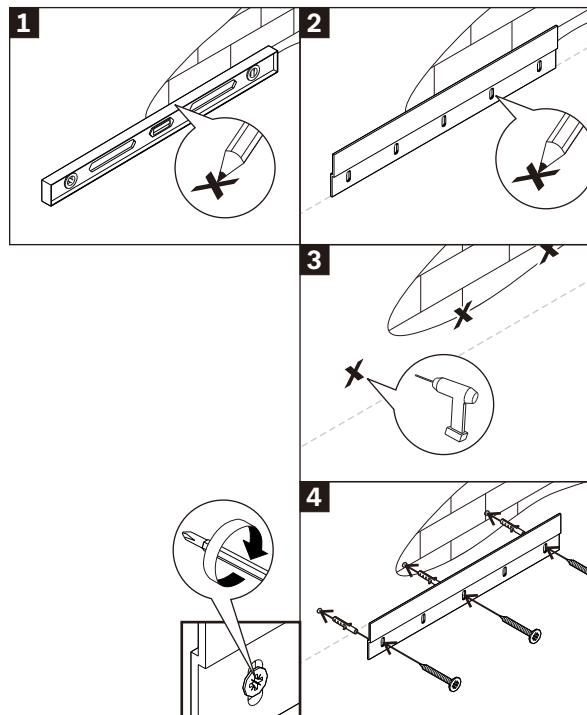
1 INSTALLING METAL HANGER ON THE WALL



AS WALL MATERIALS VARY, SCREWS FOR FIXING TO WALL ARE NOT INCLUDED. FOR ADVICE ON SUITABLE SCREW SYSTEMS, CONTACT YOUR LOCAL SPECIALISED DEALER.

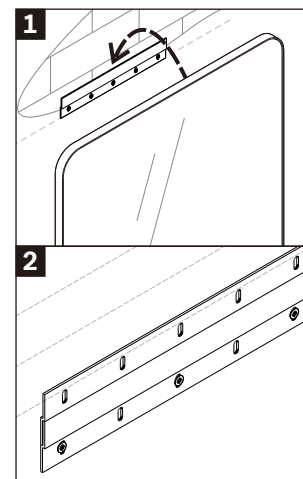
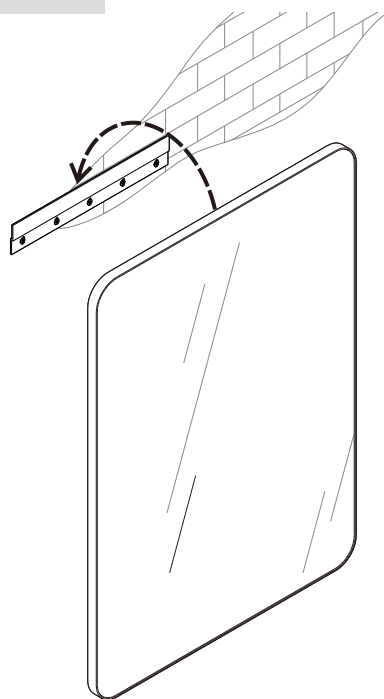


Rectangle wall mirror - bronze mirror heavy aged, metal frame



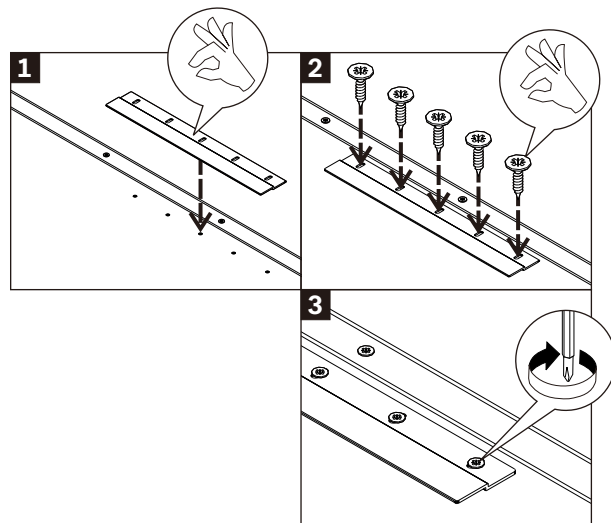
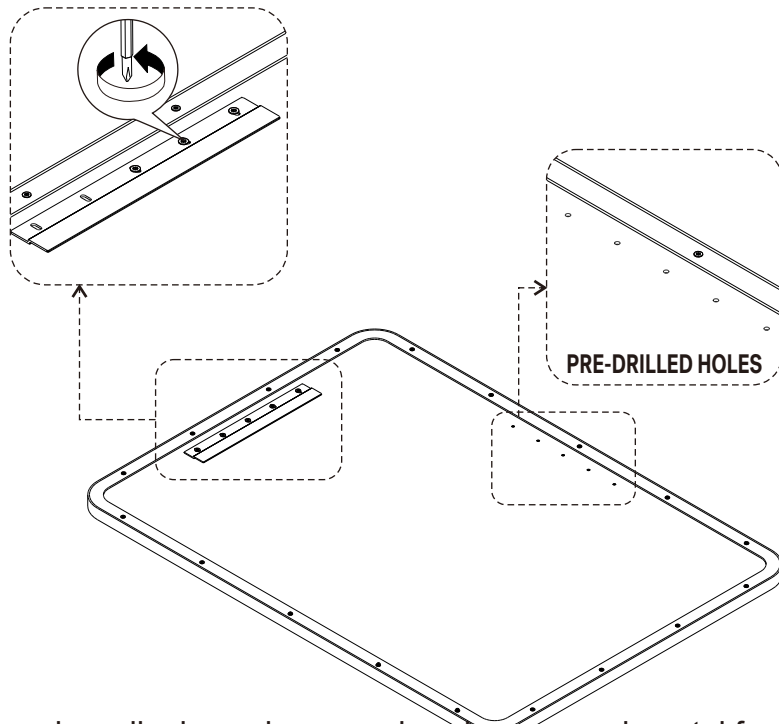
- USE METAL HANGER
- USE LEVEL FOR ALIGNMENT
- ILLUSTRATION WITH BRICK WALL

2 INSTALLING MIRROR ON THE WALL

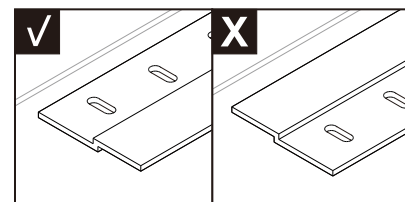


HORIZONTAL POSITION

1 REMOVING METAL HANGER AND MOVE IT IN ANOTHER POSITION



- USE EXISTING METAL HANGER
- ! - USE EXISTING SCREWS
- FULLY TIGHTEN ALL SCREWS



Rectangle wall mirror - bronze mirror heavy aged, metal frame

2 INSTALLING MIRROR ON THE WALL

