

BR HOME  
REMI TABLE LAMP



STYLE # 6002144



**DIMENSIONS**

---

Height	22"
Base Width	10" sq.
Shade Diameter	27"

**RATING**

---

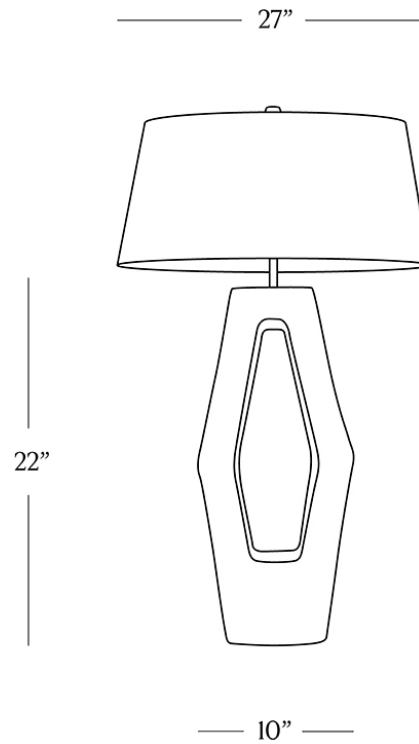
Max Wattage	60 Watt maximum Incandescent OR 9 Watt maximum LED
-------------	--

Bulbs Type A  
(Not Included)

**PARTS ENCLOSED**

---

- (A) Lamp Base (1)
- (B) Saddle (1) (attached on lamp base)
- (C) Harp (1)
- (D) Finial Screw Plate (1) (attached on harp)
- (E) Finial (1)



---

**DETAILS**

---

Material            Cast Aluminum

Made In            India

A hand-applied bronze finish gives this sculptural, cast-aluminum table lamp a hand-crafted character and welcoming warmth.

Lampshade included. Fabric cord with rocker switch.

---

**CARE**

---

- Dust regularly with a soft, dry cloth.
- Avoid the use of harsh cleaners and abrasives which may damage the finish.

---

**ASSEMBLY**

---

1. Carefully remove all parts from the box and remove all plastic coverings.
2. Insert harp (C) into the saddle (B).
3. Insert LED bulb (not included) in to the socket.
4. Remove the finial (E) by unscrewing in a counterclockwise direction.
5. Place the shade on finial screw plate (D).
6. Reattach the finial (E) and tighten it to tighten the shade by screwing in a clockwise direction.
7. Plug into proper electrical outlet and test lamp by turning it on.
8. Assembly is complete.

---

**IMPORTANT SAFETY INSTRUCTIONS**

---

**IMPORTANT: PLEASE READ**

PLEASE FOLLOW THE ASSEMBLY INSTRUCTIONS CLOSELY. IMPROPER ASSEMBLY OR INSTALLATION CAN RESULT IN PERSONAL OR PROPERTY DAMAGE.

**BULBS**

This lamp has been rated for (l) 60-watt maximum Type A incandescent light bulb or (l) 9-watt maximum LED light bulb. To avoid the risk of fire, do not exceed the recommended wattage.

**DIMMER-SWITCH COMPATIBILITY**

This lamp is dimmer-switch compatible.

---

**WARNINGS**

---

All wires are connected. When unpacking, be careful not to pull wires, as damage may result. Do not connect electricity until the lamp is fully assembled. To reduce the risk of fire, electrical shock, or personal injury, always turn off lamp and allow it to cool prior to replacing the light bulb. Do not touch or look directly at the bulb when lamp is illuminated. Keep flammable materials away from lit bulb.

---

**WARNINGS: STRANGULATION HAZARD**

---

Keep cord at least 3 feet away from cribs, bassinets, and toddler beds. Keep out of reach of children under 3 years of age.

THIS PRODUCT IS NOT A TOY AND HAS NO PLAY VALUE.