

BR HOME
HAMIMI PENDANT



STYLE # 6002547



DIMENSIONS

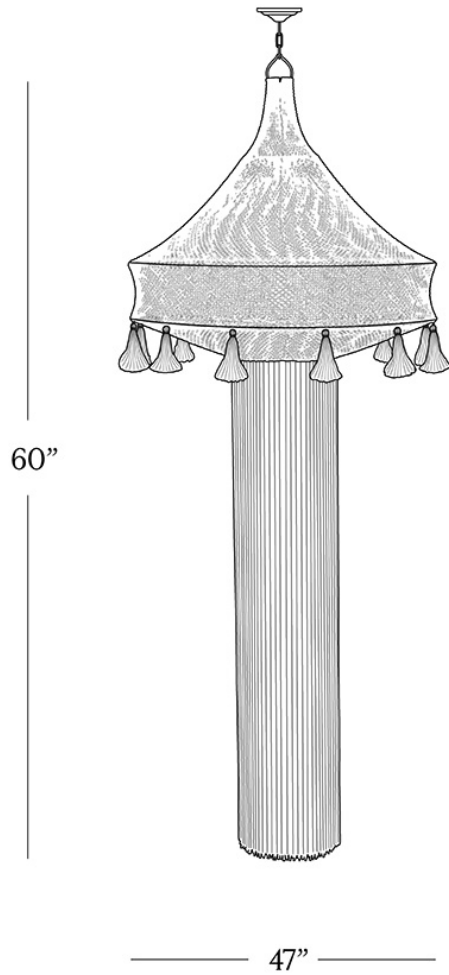
Diameter 47"
Height 60"

MOUNTING

Recommended installers Hardwire fixture, Professional installation recommended

RATING

Max Wattage 15 Watt maximum
Bulbs LED
(Not Included)



DETAILS

Material Viscose thread and brass hoops

Handmade In Morocco

A playful use of traditional materials, this large pendant lamp is hand-crocheted by women in a small village on the outskirts of Marrakech. There, the women transform traditional *kitan* threads—more commonly used for embroidering Moroccan kaftans—and handmade brass rings into modern lighting pieces that keep traditional practices alive.

Hamimi: This Marrakech-based, boutique design brand works closely with a team of skilled local artisans to create heirloom-worthy pieces that are far from ordinary, showcasing Morocco's legacy of expert craftsmanship.

CARE

- Dust regularly with a feather duster, lint roller or vacuum cleaner using the furniture attachment.
- Can also be gently wiped clean with a lightly dampened, light-colored cloth.

Reference our [Measuring & Delivery Guide](#) to accurately measure your space and avoid common delivery issues.

INSTALLATION NOTES

Hamimi Ogda Macrame Lamps are to be installed by a qualified electrician. After unpacking the lamp and before installation, gently re-shape the lamp by lightly stretching it from top to bottom. Any remaining creases in the lamp that have occurred during packing and storage will fall out with gravity once the lamp has been suspended for a while.

Each lamp is supplied fitted with a clear plastic cord grip which is to be used to secure the lamp to the electrical cable so that the light bulb sits in the desired position, which is approximately at the widest point.

- Large Lamps are fitted with a Brass Arch top-fitting so that the lamp can be suspended from chain or wire instead of the electrical cable.
- The Socket & Bulb are to be positioned so that the bulb sits approximately at the widest section of the lamp.