

BR HOME
DRACO WIDE TABLE LAMP



STYLE # 6002151

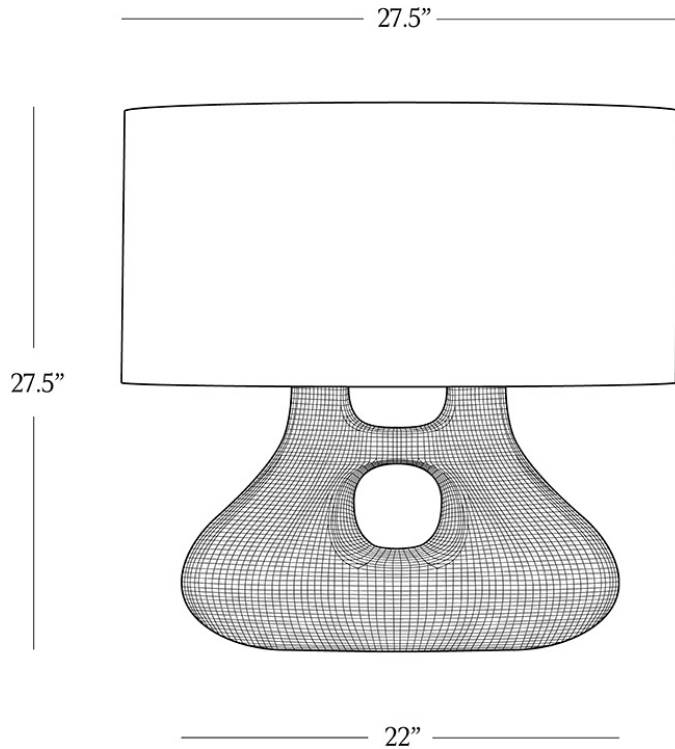


DIMENSIONS

Total Height	27.5"
Base Width	22"
Base Depth	10"
Shade Diameter	27.5"

RATING

Max Wattage	9-Watt LED maximum
Bulbs (Not Included)	LED light bulb



PARTS ENCLOSED

- (A) Socket Ring (2)
- (B) Shade (1)
- (C) Socket (2)
- (D) Lamp Body (1)

DETAILS

Playing with proportions, each of these table lamps is hand-shaped from ceramic into a plump, organic form. Each piece is then hand-painted and etched in a grid-like pattern that mimics a basketweave texture.

- Handcrafted ceramic base.
- Lampshade included; fabric cord with rocker switch.
- Handmade in India.

CARE

- Dust regularly with a soft, dry cloth.
- Avoid the use of harsh cleaners and abrasives which may damage the finish.

ASSEMBLY

1. Carefully remove all parts from the box and remove all plastic coverings.
2. Place Lamp Body (D) on a flat surface.
3. Place Shade (B) onto Socket (C). Secure Shade (B) on the Socket (C) with Socket Ring (A).
4. Place the LED bulb (Not Included) into Socket (C).
5. Plug into proper electrical outlet and test lamp by turning it on.
6. Assembly is complete.

IMPORTANT SAFETY INSTRUCTIONS

PLEASE FOLLOW THE ASSEMBLY INSTRUCTIONS CLOSELY. IMPROPER ASSEMBLY OR INSTALLATION CAN RESULT IN PERSONAL OR PROPERTY DAMAGE.

BULBS

This lamp has been rated for (2) 9-watt maximum LED light bulb (not included). To avoid the risk of fire, do not exceed the recommended wattage.

DIMMER-SWITCH COMPATIBILITY

This fixture is not dimmer-switch compatible.

WARNINGS

All wires are connected. When unpacking, be careful not to pull wires, as damage may result. Do not connect electricity until the lamp is fully assembled. To reduce the risk of fire, electrical shock, or personal injury, always turn off lamp and allow it to cool prior to replacing the light bulb. Do not touch or look directly at the bulb when lamp is illuminated. Keep flammable materials away from lit bulb.

WARNINGS: STRANGULATION HAZARD

Keep cord at least 3 feet away from cribs, bassinets, and toddler beds. Keep out of reach of children under 3 years of age.

THIS PRODUCT IS NOT A TOY AND HAS NO PLAY VALUE.