

BR HOME
FLORENCE SWIVEL CHAIR

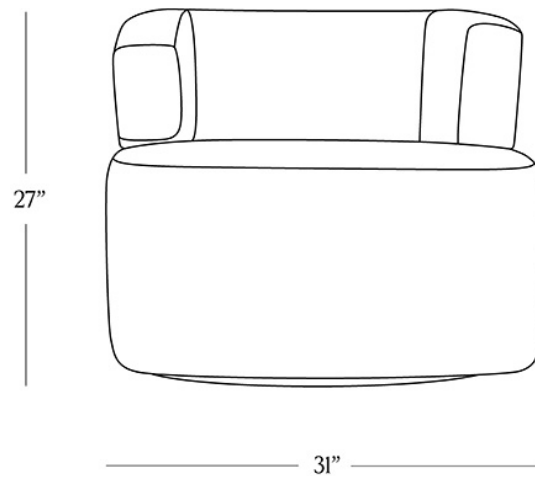


STYLE # 6002325

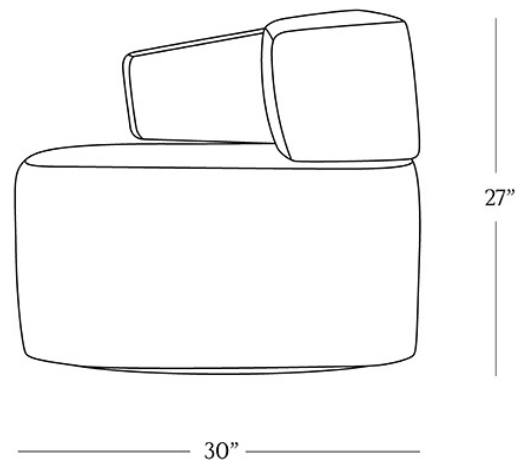


DIMENSIONS

Width	31"
Depth	30"
Height	27"
Seat Height	16.5"
Seat Depth	24"
Arm Height	24.5"
Arm Width	5"

**CARE**

-
- Keep out of direct UV light to prevent fading.
 - Vacuum regularly with upholstery attachment to remove dust.
 - Professional upholstery cleaning recommended.



[To view a copy of this product's label, copy the style number below and search this database Law Label Lookup.](#)

[Reference our Measuring & Delivery Guide to accurately measure your space and avoid common delivery issues.](#)

DETAILS

With its geometric sensibility and irregular shape, our Florence Swivel Chair captures the playful appeal of 1970s post-modern design. The blocky seat sits atop a swivel base and pairs with a sheltering back whose asymmetric arms add visual interest and a touch of whimsy. Each piece is crafted of a hardwood frame and expertly upholstered in a range of fabrics by skilled artisans in High Point, North Carolina.

- Frame crafted from maple, ash, and hardwood plywood using reinforced joint and corner block construction for long-lasting durability.
- Premium down-alternative wrapped cushions and back cushions, supported by high-resilience foam core for stability.