

BR HOME  
EZE TRIANGLE CHAIR



STYLE # 6002058



**DIMENSIONS**

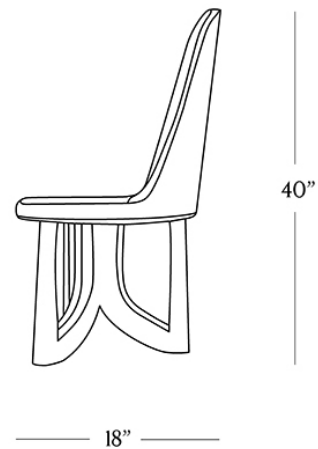
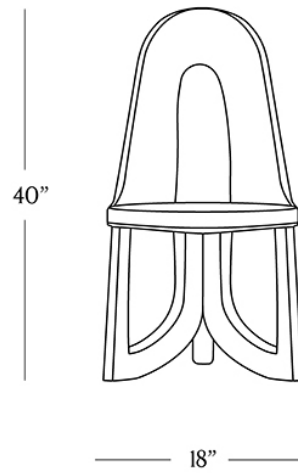
---

Width	18"
Depth	18"
Height	40"

**CARE**

---

- Use of coasters recommended.
- Dust with a clean, dry cloth; avoid cleaning agents and polishes with harsh chemicals and abrasives.
- Wipe clean with a damp cloth, using only a mild soap solution and wipe dry with a soft cloth.

**DETAILS**

---

Material           Mango wood

Handmade In     India

Exaggerated shapes and an elemental sensibility distinguish our Eze Chair. Crafted of mango wood, the striking design is marked by rich textural imperfections that lend one-of-a-kind character.