

BR HOME
EZE 3-LEGGED PEDESTAL



STYLE # 6002068

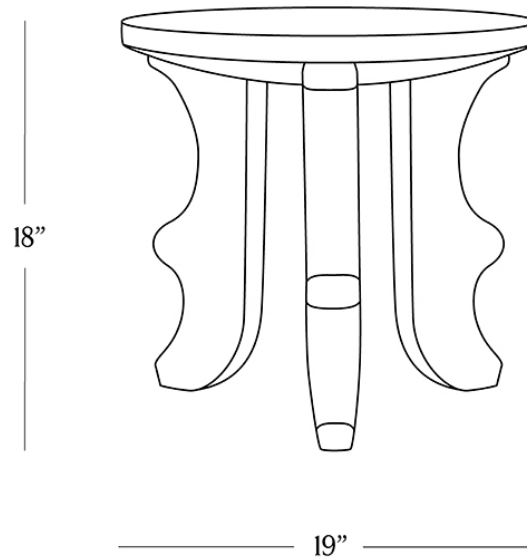


DIMENSIONS

Diameter	19"
Height	18"

CARE

- Use of coasters recommended.
- Dust with a clean, dry cloth; avoid cleaning agents and polishes with harsh chemicals and abrasives.
- Wipe clean with a damp cloth, using only a mild soap solution and wipe dry with a soft cloth.

**DETAILS**

Material Mango wood

Handmade In India

Resting atop a trio of undulating legs, our pedestals silhouette exudes a fluid, elemental feel. Crafted of mango wood, the striking design is marked by rich textural imperfections that lend each piece one-of-a-kind character.