

BR HOME
CHICAGO BED



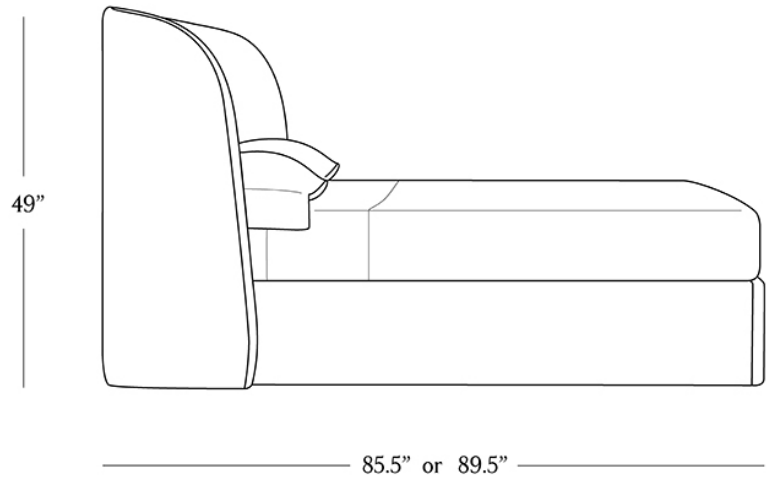
STYLE # 6002315



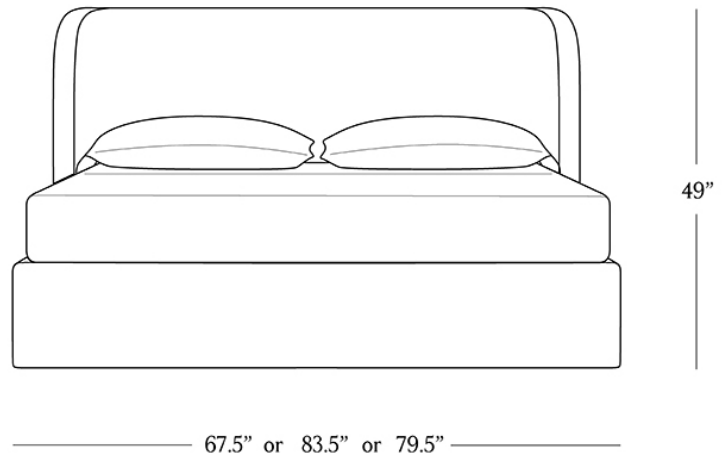
QUEEN OR KING OR CAL KING

DIMENSIONS

Queen	85.5" x 67.5" x 49"
King	85.5" x 83.5" x 49"
Cal King	89.5" x 79.5" x 49"
Headboard Height	49"
Rail/Platform Height	13.5"
Mattress	0"
Base Depth	
Floor Clearance	0.25"

**CARE**

- Keep out of direct UV light to prevent fading.
- Vacuum regularly with upholstery attachment to remove dust.
- Professional upholstery cleaning recommended.



To view a copy of this product's label, [copy the style number below and search this database Law Label Lookup.](#)

[Reference our Measuring & Delivery Guide to accurately measure your space and avoid common delivery issues.](#)

DETAILS

Soft curves and a streamlined silhouette create our Chicago Bed's sculptural quality. The low-slung, platform design features a rounded back that flows into graceful wings for a sheltering feel. Crafted in North Carolina, the bed is framed in hardwood and expertly upholstered in a range of fabrics to suit any style.

- Frame handcrafted from maple, ash, and hardwood plywood using reinforced joint and corner block construction for long-lasting durability.
- Platform base with solid wood support slats (no box frame required).